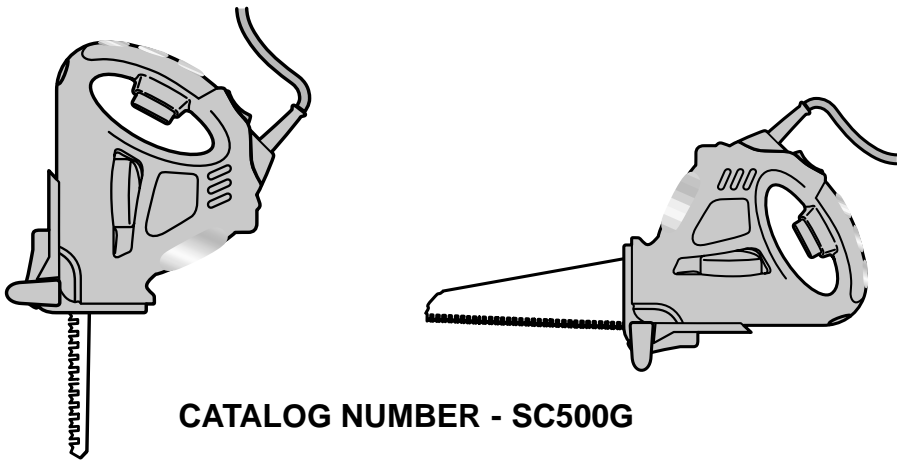


NAVIGATOR™ SAW

INSTRUCTION MANUAL



CATALOG NUMBER - SC500G

BEFORE RETURNING THIS PRODUCT FOR ANY REASON PLEASE CALL
1-800-544-6986

IF YOU SHOULD HAVE A QUESTION OR EXPERIENCE A PROBLEM WITH YOUR BLACK & DECKER PRODUCT, CALL **1-800-544-6986**

BEFORE YOU CALL, HAVE THE FOLLOWING INFORMATION AVAILABLE, CATALOG No., TYPE No., AND DATE CODE (e.g. 20000130M). IN MOST CASES, A BLACK & DECKER REPRESENTATIVE CAN RESOLVE YOUR PROBLEM OVER THE PHONE. IF YOU HAVE A SUGGESTION OR COMMENT, GIVE US A CALL. YOUR FEEDBACK IS VITAL TO BLACK & DECKER.

SAVE THIS MANUAL FOR FUTURE REFERENCE.

VEA EL ESPAÑOL EN LA CONTRAPORTADA.

INSTRUCTIVO DE OPERACIÓN, CENTROS DE SERVICIO Y PÓLIZA DE GARANTÍA.
ADVERTENCIA: LÉASE ESTE INSTRUCTIVO ANTES DE USAR EL PRODUCTO.

CAT. NO. SC500G FORM NO. 584395-00 PRINTED IN CHINA (JUN - 03-01)

⚠ General Safety Rules

⚠ **WARNING:** Read and understand all instructions. Failure to follow all instructions listed below may result in electric shock, fire and/or serious personal injury.

SAVE THESE INSTRUCTIONS

Work Area

- **Keep your work area clean and well lit.** Cluttered benches and dark areas invite accidents.
- **Do not operate power tools in explosive atmospheres, such as in the presence of flammable liquids, gases, or dust.** Power tools create sparks which may ignite the dust or fumes. Use in well ventilated areas only.
- **Keep bystanders, children, and visitors away while operating a power tool.** Distractions can cause you to lose control.

Electrical Safety

- **Double insulated tools are equipped with a polarized plug (one blade is wider than the other.) This plug will fit in a polarized outlet only one way. If the plug does not fit fully in the outlet, reverse the plug. If it still does not fit, contact a qualified electrician to install a polarized outlet. Do not change the plug in any way.** Double insulation □ eliminates the need for the three wire grounded power cord and grounded power supply system.
- **Avoid body contact with grounded surfaces such as pipes, radiators, ranges and refrigerators.** There is an increased risk of electric shock if your body is grounded.
- **Don't expose power tools to rain or wet conditions.** Water entering a power tool will increase the risk of electric shock.
- **Do not abuse the cord. Never use the cord to carry the tools or pull the plug from an outlet. Keep cord away from heat, oil, sharp edges or moving parts. Replace damaged cords immediately.** Damaged cords increase the risk of electric shock.
- **When operating a power tool outside, use an outdoor extension cord marked "W-A" or "W."** These cords are rated for outdoor use and reduce the risk of electric shock.

Personal Safety

- **Stay alert, watch what you are doing and use common sense when operating a power tool. Do not use tool while tired or under the influence of drugs, alcohol, or medication.** A moment of inattention while operating power tools may result in serious personal injury.
- **Dress properly. Do not wear loose clothing or jewelry. Contain long hair. Keep your hair, clothing, and gloves away from moving parts.** Loose clothing, jewelry, or long hair can be caught in moving parts. Air vents may cover moving parts and should be avoided.
- **Avoid accidental starting. Be sure switch is off before plugging in.** Carrying tools with your finger on the switch or plugging in tools that have the switch on invites accidents.
- **Remove adjusting keys or wrenches before turning the tool on.** A wrench or key that is left attached to a rotating part of the tool may result in personal injury.
- **Do not overreach. Keep proper footing and balance at all times.** Proper footing and balance enables better control of the tool in unexpected situations.
- **Use safety equipment. Always wear eye protection.** Dust mask, non-skid safety shoes, hard hat, or hearing protection must be used for appropriate conditions.

Tool Use and Care

- **Use clamps or other practical way to secure and support the workpiece to a stable platform.** Holding the work by hand or against your body is unstable and may lead to loss of control.
- **Do not force tool. Use the correct tool for your application.** The correct tool will do the job better and safer at the rate for which it is designed.
- **Do not use tool if switch does not turn it on or off.** Any tool that cannot be controlled with the switch is dangerous and must be repaired.
- **Disconnect the plug from the power source before making any adjustments, changing accessories, or storing the tool.** Such preventative safety measures reduce the risk of starting the tool accidentally.
- **Store idle tools out of reach of children and other untrained persons.** Tools are dangerous in the hands of untrained users.
- **Maintain tools with care. Keep cutting tools sharp and clean.** Properly maintained tools, with sharp cutting edges are less likely to bind and are easier to control.

- **Check for misalignment or binding of moving parts, breakage of parts, and any other condition that may affect the tools operation. If damaged, have the tool serviced before using.** Many accidents are caused by poorly maintained tools.
- **Use only accessories that are recommended by the manufacturer for your model.** Accessories that may be suitable for one tool, may become hazardous when used on another tool.

Service

- **Tool service must be performed only by qualified repair personnel.** Service or maintenance performed by unqualified personnel could result in a risk of injury.
- **When servicing a tool, use only identical replacement parts. Follow instructions in the Maintenance section of this manual.** Use of unauthorized parts or failure to follow Maintenance Instructions may create a risk of electric shock or injury.

SPECIFIC SAFETY RULES

- **Hold tool by insulated gripping surfaces when performing an operation where the cutting tool may contact hidden wiring or its own cord.** Contact with a "live" wire will make exposed metal parts of the tool "live" and shock the operator.

⚠ **WARNING:** Some dust created by power sanding, sawing, grinding, drilling, and other construction activities contains chemicals known to cause cancer, birth defects or other reproductive harm. Some examples of these chemicals are:

- lead from lead-based paints,
- crystalline silica from bricks and cement and other masonry products, and
- arsenic and chromium from chemically-treated lumber. (CCA)

Your risk from these exposures varies, depending on how often you do this type of work. To reduce your exposure to these chemicals: work in a well ventilated area, and work with approved safety equipment, such as those dust masks that are specially designed to filter out microscopic particles.

- **Avoid prolonged contact with dust from power sanding, sawing, grinding, drilling, and other construction activities. Wear protective clothing and wash exposed areas with soap and water.** Allowing dust to get into your mouth, eyes, or lay on the skin may promote absorption of harmful chemicals.

⚠ **WARNING:** Use of this tool can generate and/or disburse dust, which may cause serious and permanent respiratory or other injury. Always use NIOSH/OSHA approved respiratory protection appropriate for the dust exposure. Direct particles away from face and body.

⚠ **CAUTION:** Wear appropriate hearing protection during use. Under some conditions and duration of use, noise from this product may contribute to hearing loss.

The label on your tool may include the following symbols.

V	volts	A	amperes
Hz	hertz	W	watts
min	minutes	~	alternating current
====	direct current	n _o	no load speed
□	Class II Construction	⊕	earthing terminal
⚠	safety alert symbol	.../min	revolutions or reciprocations per minute

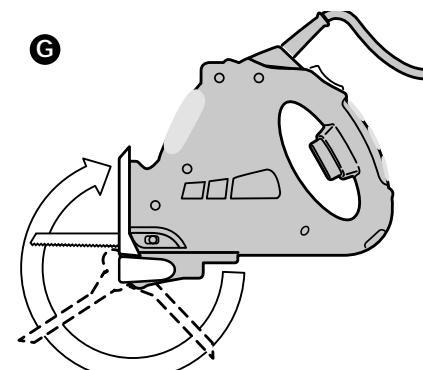
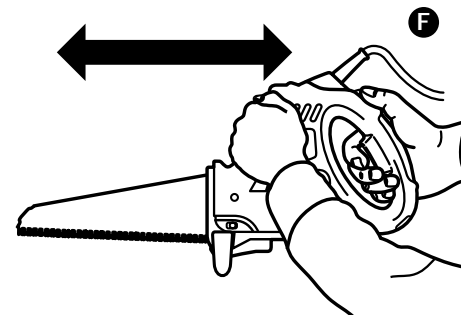
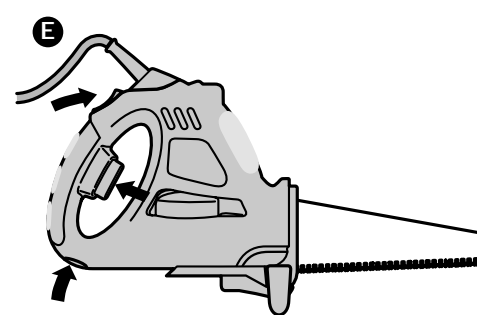
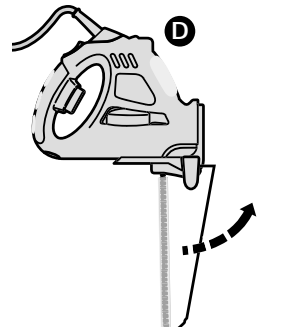
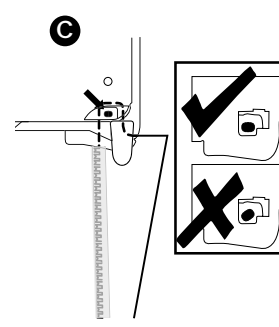
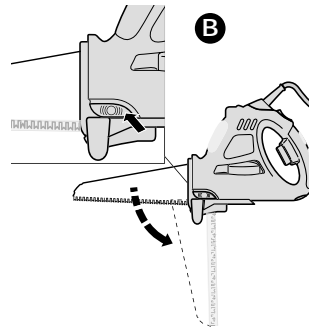
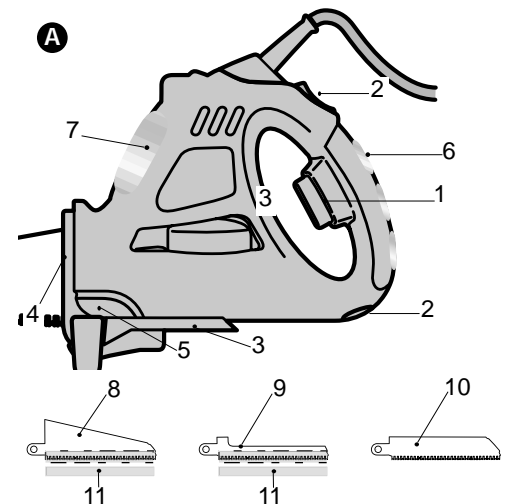
Extension Cord

When using an extension cord, be sure to use one heavy enough to carry the current your product will draw. An undersized cord will cause a drop in line voltage resulting in loss of power and overheating. The table below shows the correct size to use depending on cord length and nameplate ampere rating. If in doubt, use the next heavier gage. The smaller the gage number, the heavier the cord.

Volts	Minimum Gage for Cord Sets			
	Total Length of Cord in Feet			
120V	0-25	26-50	51-100	101-150
240V	0-50	51-100	101-200	201-300
Ampere Rating		American Wire Gage		
More Than	Not more Than			
0	6	18	16	16
6	10	18	16	14
10	12	16	16	14
12	16	14	12	Not Recommended

Features

1. Variable Speed Switch
2. Lock-off button
3. Shoe plate
4. Dust blower
5. Blade release
6. Soft grip
7. Second hand position
8. Large capacity blade
9. Curve cutting blade
10. Metal cutting blade
11. Tooth Protector



Motor

Your tool is powered by a Black & Decker specified motor. Be sure your power supply agrees with the nameplate marking. A marking of 120 volts, 50/60 Hz or 120 volts, AC only means that the tool is designed to operate on normal 120 volt house current. Voltage decrease of more than 10% will cause loss of power and overheating. All Black & Decker tools are factory tested. If this tool does not run, check the power supply.

Removing & Refitting the Blade

⚠ WARNING: Always ensure the unit is unplugged from the power supply when changing blades.

Your saw has a new blade clamping mechanism. Before using the saw familiarize yourself with the removal of the blade and refitting the blade securely in the saw. Always ensure the tooth protector is fitted when changing blades.

Removing the Blade (Figure B)

Ensure blade has cooled after use. Press and hold the rear of the blade release button fully, hold the back of the blade and rotate it through 90 degrees until the toothed side of the blade meets the silver plastic piece. Slide the blade sideways off the retaining pin and remove from the saw.

Fitting a Blade (Figures C,D)

Place the blade, with the tooth protector fitted, over the location pin. The blade teeth should be facing the handle. (Fig. C)

Note: To ensure that the blade fits properly, make sure the locking pin position mirrors that of the blade shank cut-out. The flat side of the locking pin should be parallel to the bottom of the saw as shown in the insert of Fig. C. (**Housing cover removed for clarity.**) If the locking pin is not parallel to the bottom of the saw, use an open end wrench to rotate the pin back to the proper starting position.

Rotate the blade through 90° until it is fully located in the slot and the location pin is in the locked position. (Fig. D)

To ensure the blade is securely fitted try to remove without pressing the blade release button. Remove the tooth protector, your saw is now ready for use.

Operating Instructions

Variable Speed Trigger Switch (Figure E)

Your saw is equipped with a variable speed trigger switch that allows you greater control over start of cut, rate of cut and breakthrough of cut.

To switch your saw on, push lock-off button (2) and squeeze the on/off variable speed trigger switch (1). To switch off, release the trigger, the unit will automatically lock-off.

Standard Mode (Figure F)

Hold tool with two hands as shown in Figure F. To obtain the best results from your saw, use the same backward and forward movement you would employ with a traditional hand saw. This will enable a quicker cleaner cut.

Operating in Jig Saw Mode (Figure G, H)

Disconnect unit from power supply. Remove blade, rotate shoe through 270° and secure in position (Figure G). Fit curve cutting blade. Remove tooth protector and your saw is now ready for use as a jig saw. Hold tool as shown in Figure H. **⚠ WARNING:** Never remove shoe from tool.

Cutting Metal

Your saw can be used for cutting light gauge ferrous and non-ferrous metals such as copper, brass, aluminum, etc. with the specified blade. See recommended materials.

It is advisable when cutting thin sheet to clamp a backing sheet of soft wood or plywood to the work as this will enable you to obtain a cleaner cut. Both metal and wood backing are sawn together. Do not force the cutting blade into the metal as this will reduce the life of the blade and possibly damage the motor. Cutting thin metal will take longer than cutting even a relatively thick piece of wood, so do not be tempted to speed up the operation by forcing the saw. Only use the metal cutting blade for this purpose.

Recommended Materials

Recommended Materials	Capacity
Large Capacity Blade	
Soft wood	Up to 4" x 4"
Plastic soil pipe	Up to 4-7/8"
Curve Cutting Blade	
Worktop	Up to 2"
Metal Cutting Blade	
Ferrous/non-ferrous metals	Up to 1/8" thick

Maintenance / Cleaning

Use only mild soap and damp cloth to clean the tool. Many household cleaners contain chemicals which could seriously damage the plastic and gel components. Also do not use gasoline, turpentine, lacquer or paint thinners or similar products. Never let any liquid get inside the tool; never immerse any part of the tool into a liquid.

IMPORTANT: To assure product SAFETY and RELIABILITY, repairs, maintenance and adjustment should be performed by authorized service centers or other qualified service personnel, always using identical replacement parts.

Accessories

Recommended accessories for use with your tool are available from your local dealer or authorized service center. If you need assistance regarding accessories, please call:

1-800-54-HOW-TO. (800-544-6986)

⚠ WARNING: The use of any accessory not recommended for use with this tool could be hazardous.

Service Information

All Black & Decker Service Centers are staffed with trained personnel to provide customers with efficient and reliable power tool service. Whether you need technical advice, repair, or genuine factory replacement parts, contact the Black & Decker location nearest you. To find your local service location, refer to the yellow page directory under "Tools—Electric" or call: 1-800-544-6986 or visit www.blackanddecker.com

Full Two-Year Home Use Warranty

Black & Decker (U.S.) Inc. warrants this product for two years against any defects in material or workmanship. The defective product will be replaced or repaired at no charge in either of two ways.

The first, which will result in exchanges only, is to return the product to the retailer from whom it was purchased (provided that the store is a participating retailer). Returns should be made within the time period of the retailer's policy for exchanges (usually 30 to 90 days after the sale). Proof of purchase may be required. Please check with the retailer for their specific return policy regarding returns that are beyond the time set for exchanges.

The second option is to take or send the product (prepaid) to a Black & Decker owned or authorized Service Center for repair or replacement at our option. Proof of purchase may be required. Black & Decker owned and authorized Service Centers are listed under "Tools-Electric" in the yellow pages of the phone directory and available on our website www.blackanddecker.com.

This warranty does not apply to accessories. This warranty gives you specific legal rights and you may have other rights which vary from state to state. Should you have any questions, contact the manager of your nearest Black & Decker Service Center. This product is not intended for commercial use.

Free warning label replacement: If your warning labels become illegible or are missing, call 1-800-544-6986 for a free replacement.

AVANT DE RETOURNER LE PRODUIT, PEU IMPORTE LA RAISON PRIERE DE COMPOSER

1 800 544-6986

⚠ MESURES DE SÉCURITÉ

⚠ AVERTISSEMENT : Lire et comprendre toutes les directives. Le non-respect de toutes les directives suivantes présente des risques de secousses électriques, d'incendie ou de blessures graves.

CONSERVER CES MESURES.

ZONE DE TRAVAIL

- **S'assurer que la zone de travail est propre et bien éclairée.** Des établis encombrés et des endroits sombres présentent des risques d'accidents.
- **Ne pas utiliser des outils électriques en présence de vapeurs explosives (comme celles dégagées par des liquides, des gaz ou des poussières inflammables).** Les étincelles générées par le moteur des outils électriques peuvent enflammer les poussières ou les vapeurs.
- **Éloigner les curieux, les enfants et les visiteurs de la zone de travail lorsqu'on utilise un outil électrique.** Une distraction peut entraîner la perte de maîtrise de l'outil.

MESURES DE SÉCURITÉ RELATIVES À L'ÉLECTRICITÉ

- Les outils à double isolation comportent une fiche polarisée (une lame plus large que l'autre). La fiche n'entre que d'une façon dans une prise polarisée. Lorsque la fiche n'entre pas à fond dans la prise, essayer de nouveau après avoir inversé les broches de la fiche. Si la fiche n'entre toujours pas dans la prise, communiquer avec un électricien certifié afin de faire installer une prise polarisée. Ne modifier en aucune façon la fiche. La double isolation élimine le besoin d'un cordon trifilaire mis à la terre et d'un système d'alimentation mis à la terre.
- **Éviter de toucher à des surfaces mises à la terre comme des tuyaux, des radiateurs, des cuisinières et des réfrigérateurs.** Les risques sont alors plus élevés si le corps de l'utilisateur est mis à la terre.
- **Protéger les outils électriques de la pluie ou des conditions mouillées.** Une infiltration d'eau dans l'outil augmente les risques de secousses électriques.
- **Manipuler le cordon avec soin.** Ne jamais se servir du cordon afin de transporter l'outil ni tirer sur le cordon pour débrancher l'outil. Éloigner le cordon des sources de chaleur, des flaques d'huile, des arêtes tranchantes et des pièces mobiles. Remplacer immédiatement les cordons endommagés. Les cordons endommagés augmentent les risques de secousses électriques.
- **Lorsqu'on utilise un outil électrique à l'extérieur, se servir d'un cordon de rallonge prévu pour l'extérieur, portant la mention "W-A" ou "W".** Ces cordons sont conçus pour servir à l'extérieur et minimisent les risques de secousses électriques.

SÉCURITÉ PERSONNELLE

- **Demeurer vigilant, prendre soin et faire preuve de jugement lorsqu'on utilise un outil électrique.** Ne pas s'en servir lorsqu'on est fatigué ou affaibli par des drogues, de l'alcool ou des médicaments. De graves blessures peuvent résulter d'un moment d'inattention lors de l'utilisation d'un outil électrique.
- **Porter des vêtements appropriés. Éviter de porter des vêtements amples ou des bijoux. Recouvrir la chevelure si elle est longue.** Éloigner les cheveux, les vêtements et les gants des pièces en mouvement qui peuvent les happer.
- **Éviter les démarrages accidentels. S'assurer que l'interrupteur est en position hors tension avant de brancher l'outil.** Afin d'éviter les risques de blessures, ne pas transporter l'outil avec le doigt sur l'interrupteur ni brancher un outil dont l'interrupteur est en position sous tension.
- **Enlever les clés de réglage avant de mettre l'outil sous tension.** Une clé qui est laissée sur une pièce rotative de l'outil présente des risques de blessures.
- **Ne pas dépasser sa portée. Garder son équilibre en tout temps.** On s'assure d'une meilleure maîtrise de l'outil dans des situations imprévues grâce à une position stable et un bon équilibre.
- **Porter de l'équipement de sécurité. Toujours porter des lunettes de sécurité.** Dans certaines conditions, il faut porter des masques respiratoires, des chaussures antidérapantes, un casque de sécurité ou des protège-tympans.

UTILISATION ET ENTRETIEN DE L'OUTIL

- **Utiliser des pinces de serrage ou de tout autre moyen pratique afin de fixer et de soutenir la pièce à ouvrir sur une plate-forme stable.** La pièce est instable lorsqu'elle est retenue par la main ou le corps de l'utilisateur. Cela présente des risques de perte de maîtrise de l'outil.
- **Ne pas forcer l'outil. Utiliser l'outil approprié à la tâche.** L'outil approprié fonctionne mieux et sûrement lorsqu'on s'en sert à son rendement nominal.
- **Ne pas se servir de l'outil lorsque l'interrupteur est défectueux.** Le cas échéant, l'outil est dangereux et il faut le réparer.
- **Débrancher l'outil de la source d'alimentation avant de le régler, d'en remplacer les accessoires ou de le ranger.** On minimise de la sorte le risque de démarrage accidentel de l'outil.
- **Ranger l'outil hors de portée des enfants et de toute autre personne qui n'en connaît pas le fonctionnement.** L'outil est dangereux entre les mains de ces personnes.
- **Prendre soin des outils. S'assurer que les outils de coupe sont tranchants et propres.** Des outils bien entretenus à arêtes tranchantes ont moins tendance à se coincer et ils se maîtrisent mieux.
- **Vérifier l'alignement et les attaches des pièces mobiles, le degré d'usure des pièces ainsi que tout autre facteur susceptible de nuire au bon fonctionnement de l'outil.** Faire réparer un outil endommagé avant de s'en servir. Des outils mal entretenus sont la cause de nombreux accidents.
- **Utiliser seulement les accessoires recommandés par le fabricant.** Des accessoires qui conviennent à un outil peuvent présenter des risques avec un autre outil.

ENTRETIEN

- **Confier l'entretien de l'outil seulement à du personnel qualifié.** Le non-respect de la présente directive présente des risques de blessures.
- **Lors de l'entretien de l'outil, utiliser seulement des pièces de rechange identiques.** Respecter les consignes relatives à l'entretien du présent guide d'utilisation. Il y a risque de secousses électriques ou de blessures lorsqu'on utilise des pièces non autorisées ou lorsqu'on ne respecte pas les consignes relatives à l'entretien.

MESURES DE SÉCURITÉ ADDITIONNELLES

- **Saisir les surfaces isolées de l'outil lorsqu'on s'en sert là où il pourrait y avoir des fils sous tension et lorsqu'il pourrait entrer en contact avec son propre fil.** En cas de contact avec un fil sous tension, les composants métalliques à découvert de l'outil deviendraient sous tension et l'utilisateur subirait des secousses électriques.

⚠ AVERTISSEMENT : certains outils électriques, tels que les sableuses, les scies, les meules, les perceuses ou certains autres outils de construction, peuvent produire de la poussière contenant des produits chimiques susceptibles d'entraîner le cancer, des malformations congénitales ou pouvant être nocifs pour le système reproductif. Parmi ces produits chimiques, on retrouve :

- le plomb dans les peintures à base de plomb,
- la silice cristalline dans les briques et le ciment et autres produits de maçonnerie,
- l'arsenic et le chrome dans le bois de sciage ayant subi un traitement chimique (comme l'arséniate de cuivre et de chrome).

Le risque associé à de telles expositions varie selon la fréquence avec laquelle on effectue ces travaux. Pour réduire l'exposition à de tels produits, il faut travailler dans un endroit bien aéré et utiliser le matériel de sécurité approprié, tel un masque anti-poussières spécialement conçu pour filtrer les particules microscopiques.

- Éviter tout contact prolongé avec la poussière soulevée par cet outil ou autres outils électriques. Porter des vêtements de protection et nettoyer les parties exposées du corps avec de l'eau savonneuse. S'assurer de bien se protéger afin d'éviter d'absorber par la bouche, les yeux ou la peau des produits chimiques nocifs.

⚠ AVERTISSEMENT : cet outil peut produire et répandre de la poussière susceptible de causer des dommages sérieux et permanents au système respiratoire. Toujours utiliser un appareil respiratoire anti-poussières approuvé par le NIOSH ou l'OSHA. Diriger les particules dans le sens opposé du visage et du corps.

⚠ MISE EN GARDE : porter un dispositif de protection personnel anti-bruit approprié durant l'utilisation. Sous certaines conditions et pendant toute la durée de l'utilisation, le bruit émanant de ce produit pourrait contribuer à la perte d'audition.



L'étiquette de l'outil peut comporter les symboles suivants.

V	volts	A	ampères
Hz	hertz	W	watts
min	minutes	~	courant alternatif
====	courant continu	no	sous vide
☐	Construction de classe II	⊕	borne de mise à la minute
⚠	symbole d'avertissement	.../min	tours ou courses à la minute

MOTEUR

Un moteur Black & Decker entraîne l'outil. Veiller à ce que la tension d'alimentation soit conforme aux exigences de la plaque signalétique de l'outil. La mention 120 volts c.a. seulement signifie que l'outil fonctionne seulement sur une alimentation domestique standard de 60 Hz. Ne pas alimenter des outils à alimentation secteur sur du courant continu. La mention 120 volts c.a. ou c.c. signifie que l'outil fonctionne sur du courant standard alternatif ou continu de 60 Hz. Une baisse de tension entraîne une perte de puissance et la surchauffe. Tous les outils Black & Decker sont essayés avant de quitter l'usine. Lorsque celui-ci refuse de fonctionner, vérifier la source de courant électrique.

CORDONS DE RALLONGE

S'assurer que le cordon de rallonge est en bon état avant de s'en servir. Toujours utiliser un cordon de calibre approprié à l'outil; à savoir, le calibre approprié selon différentes longueurs de rallonge et fournissant la tension nécessaire à l'outil. L'utilisation d'un cordon de calibre inférieur entraîne une baisse de tension et la surchauffe de l'outil. Consulter le tableau plus bas pour connaître le calibre approprié des rallonges.

Calibre minimal des cordons de rallonge					
Tension	Longueur totale du cordon en pieds				
120 V	De 0 à 25	De 26 à 50	De 51 à 100	De 101 à 150	
240 V	De 0 à 50	De 51 à 100	De 101 à 200	De 201 à 300	
Intensité (A)		Calibre moyen de fil (AWG)			
Au moins	Au plus				
0	- 6	18	16	16	14
6	- 10	18	16	14	12
10	- 12	16	16	14	12
12	- 16	14	12	Non recommandé	

COMPOSANTS

1. Interrupteur à vitesse variable
2. Bouton de verrouillage en position d'arrêt
3. Plaque du patin
4. Chasse-sciure
5. Mécanisme de dégagement de la lame
6. Poignée ergonomique
7. Position de la seconde main
8. Lame à grande capacité
9. Lame courbée
10. Lame à métal
11. Protège-lame

RETRAIT ET REMISE EN PLACE DE LA LAME

⚠ AVERTISSEMENT : toujours s'assurer que l'outil est débranché de la source d'alimentation électrique avant de changer la lame.

La scie est munie d'un nouveau mécanisme de fixation de la lame. Avant d'utiliser la scie, on doit savoir comment retirer et remettre la lame en place sur la scie. Toujours s'assurer que le protège-lame est installé avant de changer la lame.

RETRAIT DE LA LAME (FIGURE B)

S'assurer que la lame se soit refroidie, le cas échéant. Enfoncer complètement la partie arrière du bouton de dégagement de la lame, puis prendre l'arrière de la lame et la tourner de 90 degrés, jusqu'à ce que son côté denté rejoigne la pièce en plastique de couleur argent. Faire glisser la lame latéralement afin de la retirer de la goupille de retenue, puis de la scie.

INSTALLATION D'UNE LAME (FIGURES C ET D)

Mettre la lame, dotée de son dispositif de protection des dents, sur la goupille de repère. Les dents de la lame devraient être orientées vers la poignée (figure C).

Remarque : afin de s'assurer que la lame soit bien placée, prendre soin d'aligner la goupille de sécurité avec l'orifice de la tige de lame. Le côté plat de la goupille de sécurité devrait être parallèle à la partie inférieure de la scie, tel qu'illustré dans l'encadré de la figure C (**couvrir le retrait du boîtier pour mieux illustrer**). Si la goupille de sécurité n'est pas parallèle à la partie inférieure de la scie, utiliser une clé à fourche pour tourner la goupille et la remettre à sa position initiale.

Tourner la lame de 90 degrés, jusqu'à ce qu'elle s'insère dans la fente et que la goupille de repère soit en position verrouillée (figure D).

Pour vérifier si la lame est bien placée, essayer de la retirer sans utiliser le bouton de dégagement. Retirer le dispositif de protection des dents; la scie est prête à être utilisée.

Mode d'emploi

INTERRUPTEUR À VITESSE VARIABLE (FIGURE E)

La scie est munie d'un interrupteur à vitesse variable qui permet de mieux maîtriser la scie lorsqu'on amorce une coupe et qu'on perce le matériau et de mieux maintenir la vitesse de coupe.

Pour mettre la scie en marche, pousser sur le bouton de verrouillage (2) et enfoncer l'interrupteur de marche-arrêt / vitesse variable (1); relâcher l'interrupteur pour arrêter l'outil. Ce dernier se verrouillera automatiquement en position d'arrêt.

MODE STANDARD (FIGURE F)

Tenir l'outil à deux mains, tel qu'illustré à la figure F. Pour obtenir de meilleurs résultats, utiliser les mêmes mouvements vers l'avant et vers l'arrière qu'on utilise avec une scie à main conventionnelle afin d'obtenir une coupe plus rapide et plus précise.

MODE SCIE SAUTEUSE (FIGURES G ET H)

Débrancher l'outil de la source d'alimentation électrique. Retirer la lame, puis tourner le patin de 270 ° et le fixer fermement (fig. G). Installer la lame courbée et enlever le protège-lame. La scie est maintenant prête à être utilisée en mode scie sauteuse. Tenir l'outil tel qu'illustré à la figure H. **AVERTISSEMENT** : ne jamais retirer le patin de l'outil.

COUPE DU MÉTAL

On peut utiliser la scie pour couper des métaux ferreux et non ferreux de faible épaisseur, tels que le cuivre, le laiton, l'aluminium, etc. au moyen d'une lame recommandée. Voir la liste de matériaux compatibles. Lors de la coupe de tôles minces, on recommande de fixer un support en bois mou ou en contreplaqué au matériau à couper afin d'obtenir une coupe plus précise. Le métal et le support en bois sont sciés ensemble. Ne pas forcer la lame dans la tôle, car cela réduira la durée de vie de la lame et pourrait endommager le moteur. Puisque la coupe d'une pièce en tôle prend plus de temps que celle d'une pièce de bois relativement épaisse, on doit éviter d'accélérer la coupe en forçant la scie. N'utiliser que la lame à métal prévue à cette fin.

Matériaux compatibles

Capacité

LAME À GRANDE CAPACITÉ

Bois mou	Jusqu'à 4 po sur 4 po
Tuyau de sol plastique	Jusqu'à 4 7/8 po

LAME COURBÉE

Surface de travail	Jusqu'à 2 po
--------------------	--------------

LAME À MÉTAL

Métaux ferreux ou non ferreux	Jusqu'à 1/8 po d'épaisseur
-------------------------------	----------------------------

ENTRETIEN

Nettoyer l'outil au moyen d'un savon doux et d'un linge humide seulement. Ne jamais laisser de liquide s'infiltrer à l'intérieur de l'outil ni tremper ce dernier dans un liquide quelconque. **IMPORTANT** : pour assurer la SÉCURITÉ et la FIABILITÉ de cet outil, toutes les opérations de réparation, d'entretien et de réglage doivent être effectuées dans un centre de service autorisé ou par du personnel qualifié; on ne doit utiliser que des pièces de rechange identiques.

ACCESSOIRES

Les accessoires recommandés pour cet outil sont offerts au centre de service autorisé ou chez le dépositaire local; pour obtenir de plus amples renseignements sur ces accessoires, composer le 1 800 544-6986.

⚠ AVERTISSEMENT : il pourrait s'avérer dangereux d'utiliser des accessoires autres que ceux recommandés pour cet outil.

Renseignements relatifs au service

Black & Decker exploite un réseau complet de centres de service et d'ateliers d'entretien autorisés par toute l'Amérique du Nord. Le personnel de tous les centres de service Black & Decker a reçu la formation voulue pour assurer l'entretien efficace et fiable des outils électriques.

Pour obtenir des renseignements d'ordre technique, des conseils relatifs aux réparations ou des pièces de rechange d'origine, communiquer avec le centre de service Black & Decker de la région. On peut trouver l'adresse du centre de service de la région dans l'annuaire des

Pages Jaunes à la rubrique «Outils électriques» ou en composant le numéro suivant :

1 (800) 544-6986.

Garantie complète de deux ans pour utilisation domestique

Black & Decker garantit le produit pour une période de deux ans contre les vices de matière ou de fabrication. Le produit défectueux sera réparé ou remplacé sans frais conformément à l'une des conditions suivantes.

Pour échanger l'outil, il suffit de le retourner au détaillant (si le détaillant participe au programme d'échange rapide Black & Decker). Le retour doit être effectué dans les délais impartis par la politique de retour du détaillant (habituellement entre 30 et 90 jours suivant la date d'achat). Le détaillant peut exiger une preuve d'achat. Prière de vérifier la politique de retour du détaillant au-delà des délais impartis.

On peut également retourner l'outil (port payé) à un centre de service Black & Decker ou à tout autre atelier d'entretien accrédité pour y être remplacé ou réparé, à notre gré. On peut exiger une preuve d'achat. Les adresses des centres de service Black & Decker se trouvent à la rubrique «Outils électriques» des Pages Jaunes.

La présente garantie ne vaut pas pour les accessoires. Les modalités de la présente garantie donnent des droits légaux spécifiques. L'utilisateur peut également se prévaloir d'autres droits selon l'état ou la province qu'il habite. Pour obtenir de plus amples renseignements, communiquer avec le directeur du centre de service Black & Decker de la région. Le produit n'est pas conçu pour un usage commercial.

Imported by / Importé par
Black & Decker Canada Inc.
100 Central Ave.
Brockville (Ontario) K6V 5W6

Voir la rubrique "Outils électriques"
des Pages Jaunes
pour le service et les ventes.



ANTES DE DEVOLVER ESTE PRODUCTO POR
CUALQUIER RAZON POR FAVOR LLAME
(55)5326-7100

⚠ REGLAS GENERALES DE SEGURIDAD

⚠ ADVERTENCIA! Lea y comprenda todas las instrucciones. No seguir todas las instrucciones listadas a continuación puede originar descargas eléctricas, incendios y (o) lesiones personales de gravedad.

CONSERVE ESTAS INSTRUCCIONES

AREA DE TRABAJO

- **Conserve su área de trabajo limpia y bien iluminada.** Los bancos con objetos acumulados y las áreas oscuras propician los accidentes.
- **No opere herramientas eléctricas en atmósferas explosivas, como en presencia de líquidos inflamables, gases o polvos.** Las herramientas eléctricas crean chispas que pueden originar la ignición de los polvos o vapores.
- **Conserve alejados a espectadores, niños y visitantes mientras opera la herramienta.** Las distracciones pueden ocasionar que pierda el control.

SEGURIDAD ELECTRICA

- **Las herramientas con doble aislamiento están equipadas con una clavija polarizada (con una pata más ancha que la otra.) Esta clavija se acoplará únicamente en una toma de corriente polarizada de una manera. Si la clavija no se acopla al contacto, invírtala. Si aún así no se ajusta, comuníquese con un electricista calificado para que le instalen una toma de corriente polarizada apropiada. No cambie la clavija por ningún motivo.** El doble aislamiento ☐ elimina la necesidad de cables con tres hilos y sistemas de alimentación con conexión a tierra.
- **Evite el contacto corporal con superficies aterrizadas tales como tuberías, radiadores, hornos y refrigeradores.** Hay un gran riesgo de choque eléctrico si su cuerpo hace tierra.
- **NO exponga las herramientas eléctricas a la lluvia o a condiciones de mucha humedad.** El agua que se introduce en las herramientas aumenta el riesgo de descargas eléctricas.
- **NO maltrate el cable.** Nunca tome el cable para transportar una herramienta ni para desconectarla de la toma de corriente. Consérvelo alejado de calor aceite, bordes afilados o piezas móviles. Cambie inmediatamente los cables dañados. Los cables dañados aumentan el riesgo de choque eléctrico.
- **Cuando opere una herramienta eléctrica a la intemperie, utilice una extensión marcada "W-A" o "W".** Estas extensiones están clasificadas para uso a la intemperie y para reducir el riesgo de choques eléctricos.

SEGURIDAD PERSONAL

- **Esté alerta, concéntrese en lo que haga y utilice el sentido común al operar una herramienta eléctrica. No utilice la herramienta si se encuentra cansado o bajo la influencia de drogas, alcohol o medicamentos.** Un momento de distracción al operar herramientas eléctricas puede originar una lesión de gravedad.
- **Vístase de manera adecuada. No utilice ropas sueltas ni piezas de joyería. Cubra su cabello si lo tiene largo. Conserve cabello, ropas y guantes alejados de las piezas móviles.** Las ropas sueltas, las joyas y el cabello largo pueden quedar atrapados en las piezas móviles.
- **Evite el encendido accidental. Asegúrese que el interruptor esté en posición de apagado antes de conectar.** Sostener una herramienta con el dedo en el interruptor o conectarla sin fijarse si el interruptor está en posición de encendido propicia los accidentes.
- **Retire las llaves de ajuste antes de encender la herramienta.** Una llave colocada en una parte móvil de la herramienta puede ocasionar una lesión personal.
- **No se sobreexienda. Conserve siempre bien apoyados los pies, lo mismo que el equilibrio.** El apoyo correcto permite mayor control de la herramienta en situaciones inesperadas.
- **Utilice equipo de seguridad. Protégase siempre los ojos.** Deben emplearse máscaras contra polvo, calzado antiderrapante, cascos y protección auditiva como medidas básicas de seguridad.

USO Y CUIDADOS DE LA HERRAMIENTA

- **Utilice prensas u otros medios prácticos para asegurar y apoyar las piezas de trabajo a una plataforma estable.** Sujetar las piezas con la mano o contra su cuerpo es inestable y puede llevar a la pérdida del control.
- **No fuerce la herramienta. Emplee la herramienta apropiada para su aplicación.** La herramienta correcta hará mejor el trabajo y de manera más segura bajo las especificaciones para las que se diseñó.
- **No emplee la herramienta si el interruptor no funciona.** Cualquier herramienta que no pueda controlarse con el interruptor es peligrosa y debe ser reparada.
- **Desconecte la clavija de la alimentación de corriente antes de hacer cualquier ajuste, cambio de accesorios o antes de guardarla.** Estas medidas preventivas reducen el riesgo de encender la herramienta accidentalmente.
- **Guarde fuera del alcance de los niños o de otras personas no calificadas las herramientas que no emplee.** Las herramientas son peligrosas en manos inexpertas.
- **Cuide sus herramientas. Conserve las herramientas de corte limpias y afiladas.** Las herramientas cuyas piezas de corte han recibido mantenimiento y están bien afiladas son menos propensas a atascarse y son más controlables.
- **Verifique la alineación de las piezas móviles, rupturas y cualesquiera otras condiciones que puedan afectar la operación de la herramienta. Si su herramienta está dañada, hágale servicio antes de usarla de nuevo.** Se originan muchos accidentes

debido a herramientas con poco mantenimiento.

- **Utilice únicamente los accesorios recomendados por el fabricante para su modelo de herramienta.** Los accesorios adecuados para una herramienta pueden volverse peligrosos en otra.

SERVICIO

- **El servicio a las herramientas lo debe efectuar únicamente personal calificado.** El servicio o mantenimiento realizado por personal no calificado puede originar riesgos de lesiones.
- **Cuando efectúe servicio a una herramienta, utilice únicamente refacciones idénticas. Siga las instrucciones señaladas en la sección de mantenimiento de este manual.** El uso de partes no especificadas o las fallas al seguir las instrucciones de mantenimiento pueden originar riesgos de choque eléctrico o lesiones personales.

REGLAS DE SEGURIDAD ESPECIFICAS

- **Sujete la herramienta por las superficies aislantes cuando realice una operación en la que la herramienta de corte pueda hacer contacto con cableado oculto o con su propio cable.** El contacto con un cable "vivo" hará que las partes metálicas expuestas de la herramienta se vuelvan vivas y provoquen una descarga al operador.

La etiqueta de su herramienta puede incluir los siguientes símbolos.

V	volt	A.....	amperes
Hz	hertz	W	watts
min	minutos	~	corriente alterna
====	corriente directa	n _o	velocidad sin carga
☐	construcción clase II	⊕	terminales de conexión a tierra
⚠	símbolo de alerta seguridad/min	revoluciones o reciprocaciones por minuto

⚠ **ADVERTENCIA:** Algunos tipos de polvo, como aquellos generados por el lijado, serruchado, pulido y taladrado mecánico y otras actividades de construcción, contienen químicos que se sabe causan cáncer, defectos de nacimiento y otros daños reproductivos. Algunos ejemplos de estos químicos son:

- plomo de algunas pinturas,
- polvo de sílice proveniente de ladrillos y cemento y otros productos de albañilería, y
- arsénico y cromo provenientes de maderas tratadas con químicos (arseniato de cobre cromado).

Su riesgo de exposición a estos químicos varía, dependiendo de la frecuencia con la cual realiza usted este tipo de trabajo. Para reducir su exposición a estos químicos, trabaje en un lugar con buena ventilación y trabaje con equipo de seguridad aprobado, como máscaras antipolvo especialmente diseñadas para filtrar partículas microscópicas.

- Evite el contacto prolongado con polvo generado por el lijado, serruchado, pulido y taladrado mecánico y otras actividades de construcción. Vístase con ropa de protección y lave con agua y jabón las áreas de su cuerpo que hayan sido expuestas. La penetración de polvo a la boca o los ojos o el contacto de este con la piel, puede promover la absorción de químicos dañinos.

⚠ **ADVERTENCIA:** El uso de esta herramienta puede generar y/o dispersar polvo, lo cual puede causar lesiones respiratorias o de otro tipo, serias y permanentes. Siempre use protección respiratoria aprobada por NIOSH (Instituto Nacional de Seguridad y Salud en el Trabajo) u OSHA (Administración de Seguridad y Salud en el Trabajo) apropiada para la exposición al polvo. Dirija las partículas en dirección contraria a la cara y el cuerpo.

⚠ **ATENCIÓN: Use protección auditiva apropiada cuando usa la herramienta. Bajo ciertas condiciones y el tiempo que se usa la herramienta, el ruido proveniente de este producto podría contribuir a pérdida auditiva.**

Motor

Su herramienta Black & Decker funciona con un motor Black & Decker integrado. Asegúrese que su alimentación de corriente concuerde con la señalada en la placa de identificación. 120 V~ significa que su sierra funciona con corriente doméstica estándar a 60 Hz. No utilice herramientas para corriente alterna con corriente continua. Una especificación de 120 V AC/DC significa que su herramienta funcionará con corriente alterna estándar a 60 Hz o con corriente continua. esta información está impresa en la placa de identificación. Voltajes menores causarían pérdida de potencia y pueden producir sobrecalentamiento. todas las herramientas Black & Decker se prueban en la fábrica; si esta herramienta no funciona, revise la alimentación de corriente.

Uso de cables de extensión

Asegúrese que el cable de extensión esté en buenas condiciones antes de usarlo. Utilice siempre extensiones con el calibre adecuado con su herramienta – esto es, el calibre apropiado para diferentes longitudes del cable, con la capacidad suficiente para soportar la corriente que su herramienta necesita. El uso de un cable con calibre insuficiente causará una caída en el voltaje de la línea resultando en pérdida de potencia y sobrecalentamiento. Consulte la tabla que sigue para conocer los calibre del cable.

CCalibre mínimo para cordones de extensión						
Volts		Longitud total del cordón en metros				
120V		0-7,6	7,6-15,2	15,2-30,4	30,4-45,7	
240V		0-15,2	15,2-30,4	30,4-60,9	60,9-91,4	
Amperje		Calibre del cordón AWG				
Más de	No más de					
0	-6	18	16	16	14	
6	-10	18	16	14	12	
10	-12	16	16	14	12	
12	-16	14	12	No recomendado		

Características

1. Interruptor de velocidad
2. Botón de seguro de encendido
3. Platina
4. Soplador de polvo
5. Liberador de la cuchilla
6. Sujetador flexible
7. Posición de la segunda mano
8. Cuchilla de gran capacidad
9. Cuchilla para cortes curvos
10. Cuchilla para cortar metal
11. Protector de dientes

REMOCIÓN Y REINSTALACIÓN DE LA CUCHILLA

ADVERTENCIA: Asegúrese siempre que la unidad se encuentre desconectada del suministro de corriente cuando esté cambiando las cuchillas.

Su sierra cuenta con un nuevo mecanismo de sujeción de la cuchilla. Antes de utilizar la sierra, familiarícese con el sistema de remoción y reinstalación de la cuchilla en la sierra de manera segura. Asegúrese siempre que el protector de los dientes se encuentre asegurado antes de cambiar las cuchillas.

REMOCIÓN DE LA CUCHILLA (FIGURA B)

Asegúrese de que la cuchilla se haya enfriado, en caso de haberla usado. Presione muy bien y sostenga la parte posterior del botón liberador de la cuchilla, sujétela por su parte posterior y gírela 90 grados hasta que el lado dentado de la cuchilla haga encuentro con la pieza de plástico plateada. Deslice la cuchilla lateralmente hasta sacarla fuera del pasador de retención y retírela de la sierra.

INSTALACIÓN DE LA CUCHILLA (FIGURAS C, D)

Coloque la cuchilla, dotada con su protector de dientes, sobre el pasador de fijación. Los dientes de la cuchilla deben ir orientados hacia la manija. (Fig. C)

Nota: Para verificar que la cuchilla encaje adecuadamente, asegúrese de que la posición del pasador de retención refleje la del recorte de la espiga de la cuchilla. La parte plana del pasador de retención debe ir paralela a la de la parte inferior de la sierra según se ilustra en el inserto de la Fig. C (**Tapadera de la caja removida para mayor claridad**). Si el pasador de retención no está paralelo a la parte inferior de la sierra, utilice una llave de tuercas de boca abierta para girar el pasador de regreso a la posición correcta de comienzo.

Gire la cuchilla 90° hasta que ésta se encuentre bien colocada en la ranura y el pasador de fijación está en posición de aseguramiento. (Fig. D)

Para verificar que la cuchilla se encuentre firmemente asegurada, trate de retirarla sin presionar el botón liberador de la cuchilla. Retire el protector de los dientes. La sierra se encuentra lista para ser utilizada.

INSTRUCCIONES DE FUNCIONAMIENTO

Interruptor del gatillo de velocidad variable (Figura E)

Su sierra está equipada con un interruptor de gatillo de velocidad variable que le permite ejercer un mayor control al iniciar un corte, cambiar su velocidad y penetrar el material para realizarlo.

Para encender su sierra, empuje el botón del seguro de encendido (2) y presione el interruptor de encendido y apagado del gatillo de seguridad variable (1). Para apagarla, suelte el gatillo; la unidad se apagará automáticamente.

MODO ESTÁNDAR (FIGURA F)

Sostenga la herramienta con sus dos manos, tal como se muestra en la figura F. Para obtener los mejores resultados de su sierra, utilice el mismo movimiento hacia adelante o hacia atrás, que usted utilizaría con una sierra manual convencional. Esto le permitirá obtener un corte más rápido y preciso.

FUNCIONAMIENTO EN MODO DE CALADORA (FIGURAS G, H)

Desconecte la unidad del suministro de corriente. Retire la cuchilla, gire la zapata 270° y asegúrela en esta posición (Figura G). Asegure la hoja para cortes curvos y retire el protector de los dientes. Su sierra se encuentra ahora lista para ser utilizada como caladora. Sujete la herramienta como se muestra en la figura H. ADVERTENCIA: Nunca retire la zapata de la herramienta.

CORTE DE METAL

Su sierra puede ser utilizada para cortar metales no-ferrosos de bajo calibre, tales como el cobre, el bronce, el aluminio, etc., utilizando para ello una cuchilla especificada. Tenga en cuenta los materiales recomendados.

Cuando corte hojas delgadas, es aconsejable asegurar una hoja de respaldo de madera blanda o contrachapada al material de corte. Esto le permitirá obtener un corte más preciso. Tanto el material metálico como el de respaldo serán cortados simultáneamente. No fuerce la cuchilla en el metal, pues esto reduce la vida de la cuchilla y puede averiar el motor. El corte de material delgado puede tomar más tiempo inclusive que el corte de una pieza de madera relativamente gruesa, por lo cual se recomienda no acelerar el proceso forzando la cuchilla. Utilice tan sólo cuchillas para cortar metales para este fin.

Materiales recomendados

CUCHILLAS DE ALTA

Maderas blandas
Tuberías de plástico

CUCHILLAS PARA CORTES CURVOS

Superficies de trabajo

CUCHILLAS PARA CORTE DE METALES

Metales ferrosos y no-ferrosos

Capacidad

CAPACIDAD

Hasta 4" x 4"
Hasta 4-7/8"

Hasta 2"

Hasta 1/8" de espesor

Mantenimiento

Para limpiar la herramienta, utilice tan sólo jabón suave y un trapo húmedo. Nunca deje penetrar ningún líquido dentro de la herramienta. Nunca inmersa ninguna parte de la herramienta dentro de un líquido.

IMPORTANTE: Con el fin de garantizar la SEGURIDAD y la FIABILIDAD de la herramienta, las reparaciones y ajustes deberán ser realizados en un centro de servicio autorizado o por personal de servicio calificado, utilizando para ello tan sólo repuestos originales

ACCESORIOS

Los accesorios recomendados para emplearse con su herramienta, están a su disposición con el distribuidor o centro de servicio autorizado de su localidad. Si necesita ayuda en relación con los accesorios, por favor llame: **(55)5326-7100**

⚠ **ADVERTENCIA:** El uso de cualquier accesorio no recomendado para emplearse con esta herramienta puede ser peligroso.

io local, consulte la sección amarilla bajo "Herramientas eléctricas", o llame al: **326-7100**.

PARA REPARACION Y SERVICIO DE SUS HERRAMIENTAS ELECTRICAS FAVOR DE DIRIGIRSE AL CENTRO DE SERVICIO MAS CERCAÑO

CULIACAN	Av. Nicolas Bravo #1063 Sur	(56 77) 12 42 10
GAUDALAJARA	Av. La Paz #1770	(33 38) 26 69 78
LEON	Polara #32	(47 77) 13 14 56
MEXICO	Sonora #134 Hipodromo Condesa	(55 55) 53 99 79
MERIDA	Calle 63 #459	(99 99) 23 54 90
MONTERREY	Av. Francisco I. Madero Pte. 1820-A	(81 83) 72 11 25
PUEBLA	17 Norte #2057	(22 22) 46 90 20
QUERETARO	Av. Madero 139 Pte.	(44 22) 14 60 60
SAN LOUIS POTOSI	Pedro Moreno #408 Fracc. la Victoria	(44 48) 14 25 67
TORREON	Blvd. Independencia, 96 pte.	(87 17) 16 52 65
VERACRUZ	Prolongación Diaz Miron #4280	(29 99) 21 70 18
VILLAHERMOSA	Zaragoza #105	(99 33) 12 53 17

PARA OTRAS LOCALIDADES LLAME AL: (55)5326 7100

INFORMACIÓN DE SERVICIO

Black & Decker ofrece una red completa de centros de servicio propiedad de la compañía y franquiciados a través de toda Norteamérica. Todos los centros de servicio Black & Decker cuentan con personal capacitado para proporcionar el servicio a herramientas más eficiente y confiable.

Siempre que necesite consejo técnico, reparaciones o partes de repuesto genuinas, comuníquese con el centro Black & Decker más cercano a usted.

Para encontrar su centro de servicio local, consulte la sección amarilla bajo "Herramientas eléctricas", o llame al: **326-7100**.

GARANTÍA PARA USO DOMÉSTICO POR DOS AÑOS COMPLETOS

Black & Decker (U.S.) garantiza este producto por dos años completos contra cualquier falla originada por materiales o mano de obra defectuosos. El producto defectuoso será reemplazado o reparado sin cargo alguno en cualquiera de las siguientes dos maneras:

La primera, que resulta únicamente en cambios, es regresar el producto al vendedor al que se compró (en la suposición que es un distribuidor participante). Las devoluciones deberán hacerse dentro del tiempo estipulado por la política de cambios del distribuidor (usualmente de 30 a 90 días después de la venta). Se puede requerir prueba de compra. Por favor verifique con el vendedor las políticas específicas de devolución relacionadas a las devoluciones en tiempo posterior al estipulado para cambios.

La segunda opción es llevar o enviar el producto (con porte pagado) a los centros de servicio Black & Decker propios o autorizados, para que la reparemos o reemplacemos a nuestra opción. Se puede requerir prueba de compra. Los centros de servicio Black & Decker propios y autorizados están enlistados bajo "Herramientas eléctricas" en la sección amarilla del directorio telefónico.

Esta garantía no se aplica a los accesorios. Esta garantía le otorga derechos legales específicos, y usted puede tener otros que varíen de estado a estado. Si tiene usted cualquier pregunta, comuníquese con el gerente del centro de servicio Black & Decker más cercano. Este producto no está destinado a uso comercial.

Para servicio y ventas consulte
"HERRAMIENTAS ELECTRICAS"
en la sección amarilla.



IMPORTADO: BLACK & DECKER S.A. DE C.V.
BOSQUES DE CIDROS ACCESO RADIATAS NO. 42
COL. BOSQUES DE LAS LOMAS.
05120 MÉXICO, D.F.
TEL. 3-26-71-00

ESPECIFICACIONES

120 V, 60Hz, 201W, 1,8A,